

# NAB Competition 2021 - Grade 06

National Analytical Brains Competition 2021 for Grade 06

\* Required

1. Name \*

---

2. Registration ID \*

---

3. Contact Number ( registered one) \*

---

Mathematical Ability

All question are mandatory. Please note there is no negative marking:

4. Q 1: Find the value of  $64 \div 16 \times 5 + 20 - 30$

*Mark only one oval.*

11

10

12

None of these

5. Q 2: Find the value of a and b:

$$\frac{121}{1331} = \frac{3}{a} = \frac{b}{165}$$

Mark only one oval.

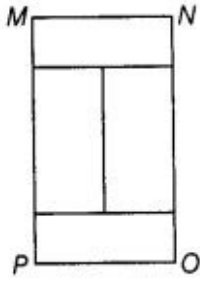
- 33,15
- 15,33
- 35,16
- 33,51

6. Q 3: On the number line, the value of  $(-2) \times 3$  lies on right hand side of

Mark only one oval.

- 7
- 4
- 0
- 7

7. Q 4: Rectangle MNOP is made up of four congruent rectangles. If the area of one of the rectangle is 8 sq. m and length is 4 m, then find the perimeter of MNOP



Mark only one oval.

- 24 m
- 26 m
- 28 m
- 30 m

8. Q 5: Which sign will come in the blank space?

$$(-6) \times (-5) - 2 \quad \underline{\hspace{2cm}} \quad (-6) \times (-5 - 2)$$

Mark only one oval.

- <
- >
- =
- Can't say

9. Q 6: Two tankers contain 140 liters and 290 liters of petrol, respectively. Find the capacity of the largest measuring container which can measure the petrol of each tanker exactly?

*Mark only one oval.*

- 406
- 29
- 10
- 14

10. Q 7: If  $2x+7=-3$  then value of  $x - 5$  is

*Mark only one oval.*

- 0
- 5
- 10
- 5
- None of these

11. Q 8: Divide Rs. 2453 between Priyanka and Rohit in the ratio 7:4.

*Mark only one oval.*

- Rs. 1561, Rs. 892
- Rs. 1420, Rs. 1033
- Rs. 1490, Rs. 963
- Rs. 1516, Rs. 937

12. Q 9: A number is multiplied by 3 and 7 is taken away from the product to get answer 11. What is the number?

*Mark only one oval.*

- 6
- 6
- 0
- 1
- None of these

13. Q 10: A wire is bent to form a square of side 22 cm. If the wire is re bent to form a circle, its area will be

*Mark only one oval.*

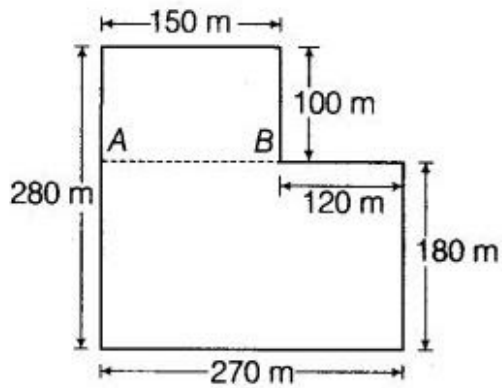
- 196 sq. cm
- 212 sq. cm
- 616 sq. cm
- 644 sq. cm

14. Q 11: Which of the following statements is not true?

*Mark only one oval.*

- Both addition and multiplication are closed for whole numbers.
- Addition and multiplication both are commutative for whole numbers.
- Zero is the identity for multiplication of whole numbers.
- Multiplication is distributive over addition for whole numbers.

15. Q 12: Total cost of fencing the park shown in figure is Rs 27500. Find the cost of fencing per metre.



Mark only one oval.

- Rs.24
- Rs.26
- Rs.25
- Rs.30

16. Q 13: Which of the following pairs is not co-prime?

Mark only one oval.

- 42, 60
- 45, 14
- 22, 3
- 31, 13

17. Q 14: The number of trays of egg available for making cake is 85000. Each tray has 9 eggs. Each cake is made with 200 eggs. How many cakes can be made from the eggs available?

*Mark only one oval.*

- 3825
- 3805
- 3725
- none of these

18. Q 15: Every whole number has its predecessor as a whole number.

*Mark only one oval.*

- True
- False
- Can't Say
- None of these

19. Q 16: The population of a town is 5408820. In a survey, it was reported that one out of every 15 persons is illiterate. In all how many illiterate persons are there in the town?

*Mark only one oval.*

- 36588
- 81132300
- 360588
- None of these

20. Q 17: Find the value of  $7614 + 832 \times 48 \div 16 - 8$

Mark only one oval.

- 11504  
 10102  
 14052  
 11204

21. Q 18: The area of a rectangle 144 m long is same as that of a square of side 84 m. The width of the rectangle is

Mark only one oval.

- 14 m  
 7 m  
 49 m  
 12 m  
 None of these

22. Q.19: The quotient of x by y added to the product of x and y is written as

(A)  $\frac{x}{y} + xy$

(B)  $\frac{y}{x} + xy$

(C)  $\frac{xy + x}{y}$

(D)  $\frac{xy + y}{x}$

Mark only one oval.

- A  
 B  
 C  
 D



23. Q 20: Determine the two numbers nearest to 10000 which are exactly divisible by 6, 5, 9 and 3.

*Mark only one oval.*

- 9990, 10080
- 9995, 10060
- 9999, 10008
- 9909, 10008

Logical Reasoning  
Ability

All question are mandatory. Please note there is no negative marking:

24. Q 21: What comes next in the following series?

6, 11, 21, 36, 56, ?

*Mark only one oval.*

- 42
- 51
- 81
- 91

25. Q 22: If all the words are arranged alphabetically as in a dictionary then which one will come in the last?

*Mark only one oval.*

- Research
- Rational
- Round
- Rustic
- Rural

26. Q 23: In a certain code language, '934' means 'food is tasty' ; '478' means 'take food picture' and '792' means 'picture is faint'. Which of the following digits stands for 'food'?

*Mark only one oval.*

9

2

3

4

27. Q 24: Out of the below five words, four are alike in some manner and fifth is different. Find that out:

*Mark only one oval.*

Sun

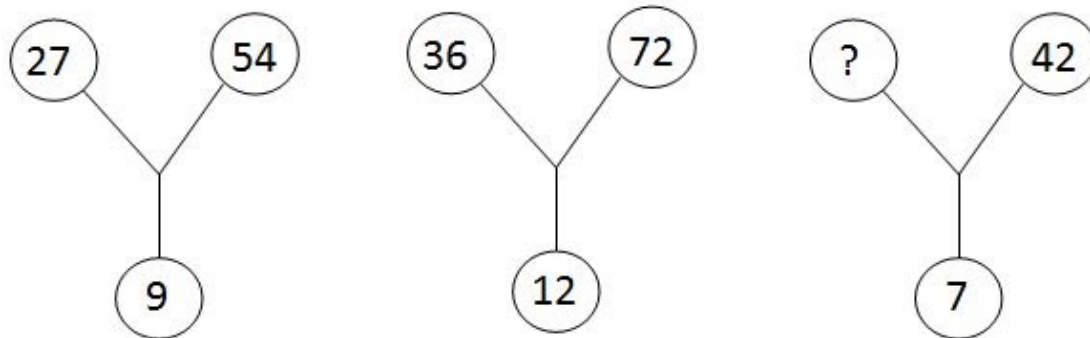
Moon

Star

Planets

Universe

28. Q 25: Which one of the following will replace the question mark (?) In the number pattern given below?



Mark only one oval.

- 35  
 12  
 21  
 18

29. Q 26: Which letter is exactly midway between G and Q in the below series

ABCDEFGHIJKLMNOPQRSTUVWXYZ

Mark only one oval.

- K  
 L  
 M  
 N

30. Q 27: There is a certain relation between two words given on one side of :: .  
Out of the below four alternatives, one word will have similar relation with the  
word on other side of ::

**Bird : Chirp :: Horse : ?**

*Mark only one oval.*

- Bray  
 Neigh  
 Race  
 Stable

31. Q 28: Find out the odd pair from the below 4 pairs:

*Mark only one oval.*

- 34 – 43  
 55 – 62  
 62 – 71  
 83 – 92

32. Q 29: If in a certain code , BAT = 23 and CAT = 24, then BALL = ?

*Mark only one oval.*

- 27  
 28  
 32  
 120

33. Q 30: Preeti walks towards North from a certain point A, after walking some distance she takes right turn, walks a certain distance and again turns right. Now towards which direction does she face?

*Mark only one oval.*

- North
- East
- South
- West

34. Q 31: What will be the minor angle between hands of a clock at 3 : 30?

*Mark only one oval.*

- 90
- 80
- 75
- 72

35. Q 32: If "Eraser" is called "box" , "box" is called "pencil", "pencil" is called "Sharpener", "Sharpener" is called "bag", then what will a child write with?

*Mark only one oval.*

- Eraser
- Box
- Pencil
- Sharpener
- Bag

36. Q 33: Which number does not fit into the given series?

9, 27, 54, 62, 81, 72

Mark only one oval.

9

27

54

62

81

72

37. Q 34: There is a certain relation between two numbers given on one side of :: .  
Out of the below four alternatives, one number will have similar relation with  
the number on other side of ::

1 : 1 :: 25 : ?

Mark only one oval.

26

125

225

625

38. Q 35: Choose the correct option to fill in the gap.

AB\_\_ \_\_ BAA\_\_ \_\_ AB\_\_

Mark only one oval.

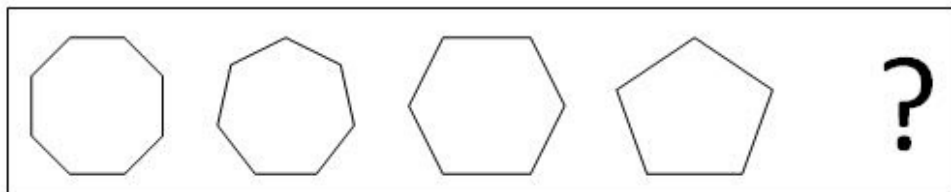
AAAAA

AABAA

AABAB

BAABB

39. Q 36: Which of the following figures will come next in the series?



A



A



C



D

Mark only one oval.

A

B

C

D

40. Q 37: Today is Monday. After 33 days, it will be:

Mark only one oval.

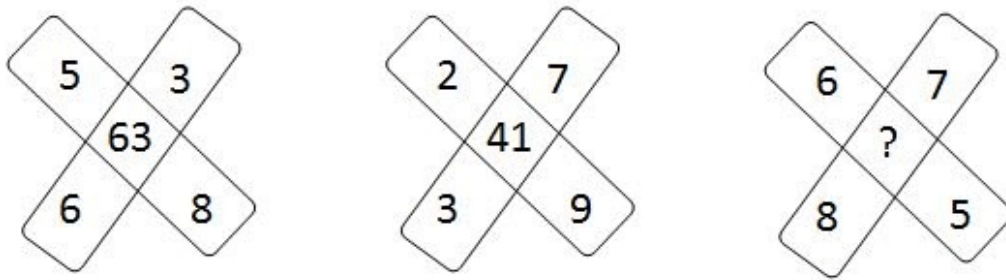
Wednesday

Thursday

Saturday

Tuesday

41. Q 38: Assuming that the numbers in set of figures follow a similar pattern, find the missing number.



Mark only one oval.

- 26
- 82
- 83
- 86

42. Q 39: Which group of numbers does not fit into the given series?



Mark only one oval.

- 236
- 248
- 339
- 426

43. Q 40: I am facing East. I turn right. What direction am I facing?

Mark only one oval.

- East
- West
- North
- South



**Real Life  
Problems**

Questions from 41 to 45 are correlated:

There are five brothers – Priyansh, Yuvan, Rahul, Rohin and Vivaan. Rahul is the tallest. Priyansh is shorter than Yuvan but taller than Vivaan. Rohin is a little shorter than Yuvan and little taller than Priyansh.

44. Q 41: Who is the shortest?

*Mark only one oval.*

- Vivaan
- Rohin
- Priyansh
- Yuvan

45. Q 42: If they stand in the order of increasing heights, who is the second?

*Mark only one oval.*

- Rohin
- Priyansh
- Yuvan
- Vivaan

46. Q 43: If they stand in the order of their heights, who will be in the middle?

*Mark only one oval.*

- Yuvan
- Vivaan
- Priyansh
- Rohin

47. Q 44: Who is the second tallest?

*Mark only one oval.*

- Rohin
- Yuvan
- Priyansh
- Vivaan

48. Q 45: Who is taller than Rohin but shorter than Rahul?

*Mark only one oval.*

- Yuvan
- Vivaan
- Priyansh
- Data Inadequate

49. Q 46: 20 teams took part in a football league. Each team was to play exactly one match with another. Can you find out how many matches will be played altogether.

*Mark only one oval.*

- 380
- 400
- 190
- 40

50. Q 47: if you are 13 years old and your brother is 10 years old. Can you tell after how many years sum of your age will be 55.

*Mark only one oval.*

- 55 Years
- 32 Years
- 16 Years
- 39 Years

51. Q 48: You purchased a comic book having 62 pages. Find the total number of digits in all the page numbers of the comic book.

*Mark only one oval.*

- 62
- 115
- 124
- None of these

52. Q 49: A fisher man ties 7 ropes together to form a long rope. How many knots will be there on the long rope? Assume there were no knots tied at the end of long rope.

*Mark only one oval.*

- 5
- 6
- 7
- 8

53. Q 50: 80 mangoes are planted around a circular lake. Each tree is planted 8 m away from another. What will be the circumference of the lake?

*Mark only one oval.*

648 m

800 m

640 m

632

---

This content is neither created nor endorsed by Google.

Google Forms